



SITESCAPES

P.O. Box 22326
Lincoln, NE 68542

PF: 402/421-9464
FX: 402/421-9479

WEBSITE: www.sitescapesonline.com
E-MAIL: info@sitescapesonline.com

TITLE

*CANOPY
BACKED BENCH*

PRODUCT NO.

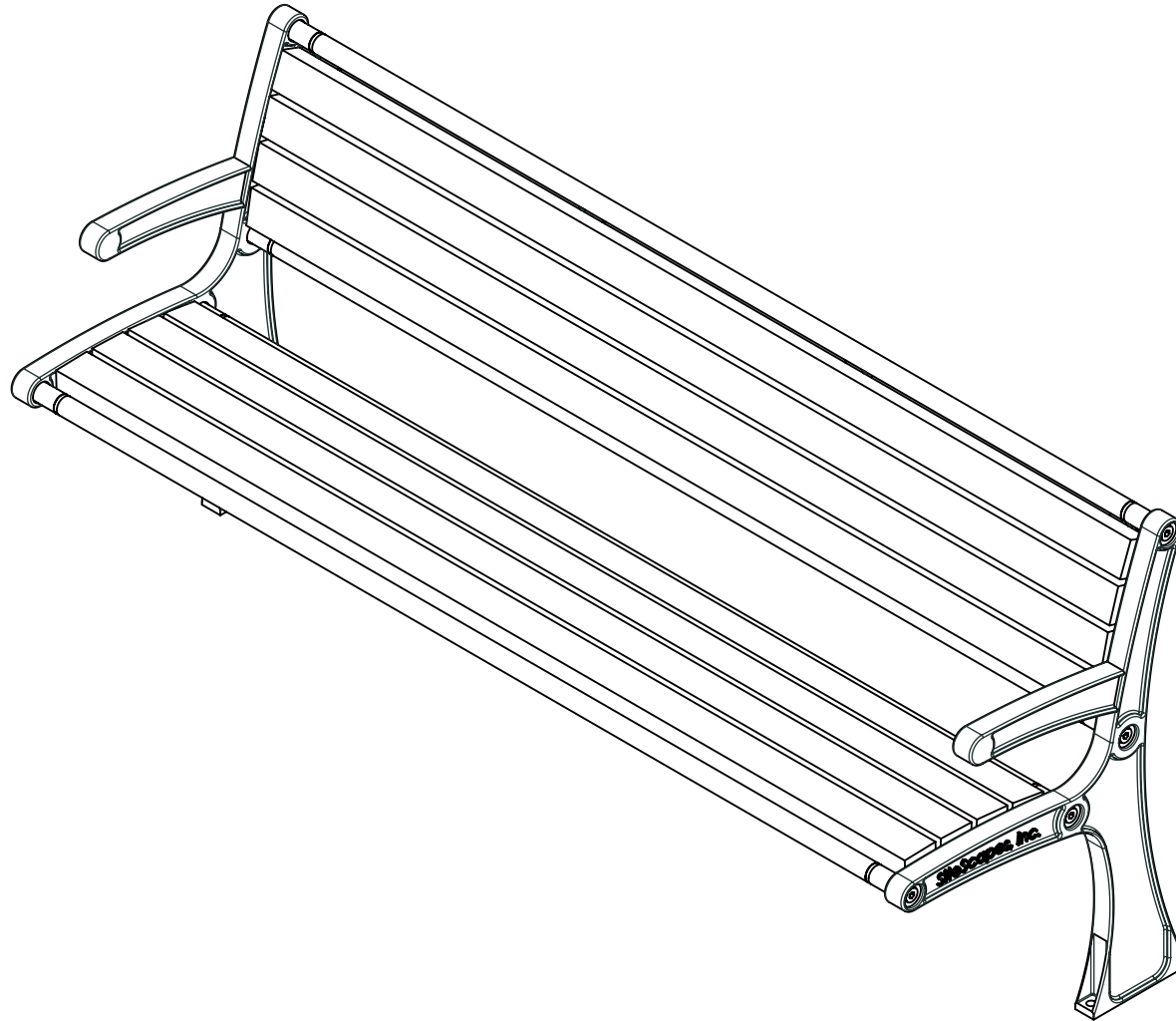
CP1-1002-RP

INCH TOLERANCES U.O.S.

FRACTION-- $\pm 1/16"$
ANG----- $\pm 1^\circ$

THE INFORMATION CONTAINED IN THIS DRAWING IS THE SOLE PROPERTY OF SITESCAPES, INC. ANY REPRODUCTION IN PART OR AS A WHOLE WITHOUT THE WRITTEN PERMISSION OF SITESCAPES, INC. IS PROHIBITED.

*Available in powder coat and DuraCoat finishes





SITESCAPES

P.O. Box 22326
Lincoln, NE 68542

PF: 402/421-9464
FX: 402/421-9479

WEBSITE: www.sitescapesonline.com
E-MAIL: info@sitescapesonline.com

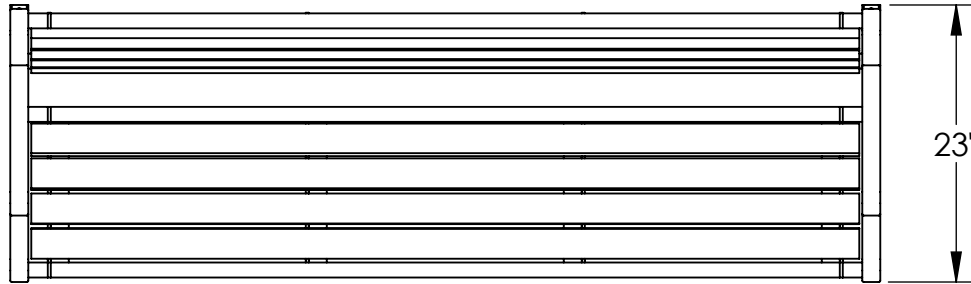
TITLE *CANOPY
BACKED BENCH*

PRODUCT NO.
CP1-1002-RP

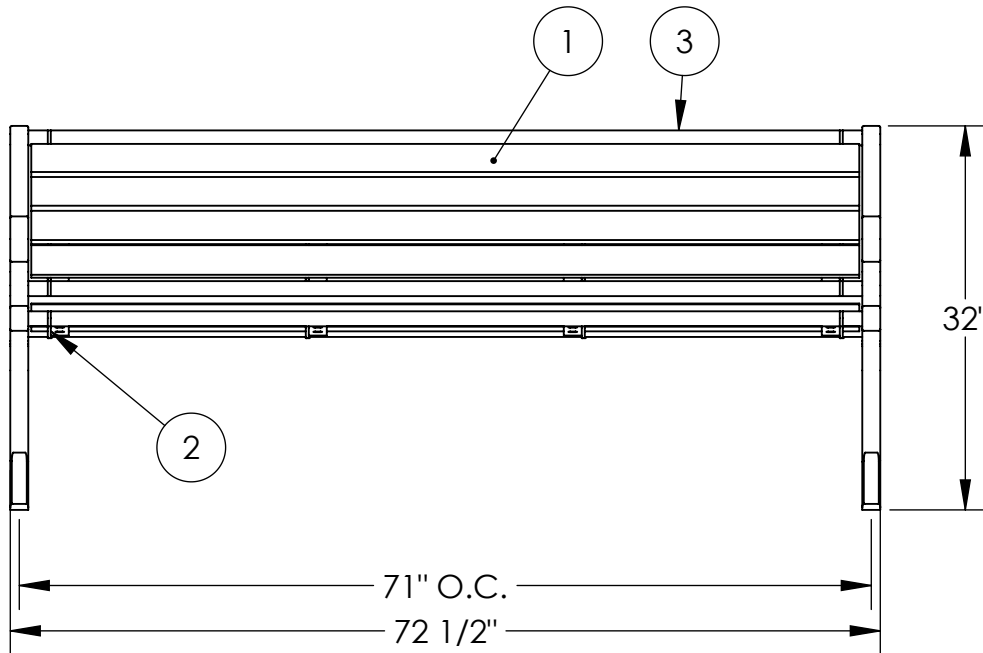
FRACTION-- $\pm 1/16"$
ANG----- $\pm 1^\circ$

THE INFORMATION CONTAINED IN THIS DRAWING IS THE SOLE PROPERTY OF SITESCAPES, INC. ANY REPRODUCTION IN PART OR AS A WHOLE WITHOUT THE WRITTEN PERMISSION OF SITESCAPES, INC. IS PROHIBITED.

*Available in powder coat and DuraCoat finishes



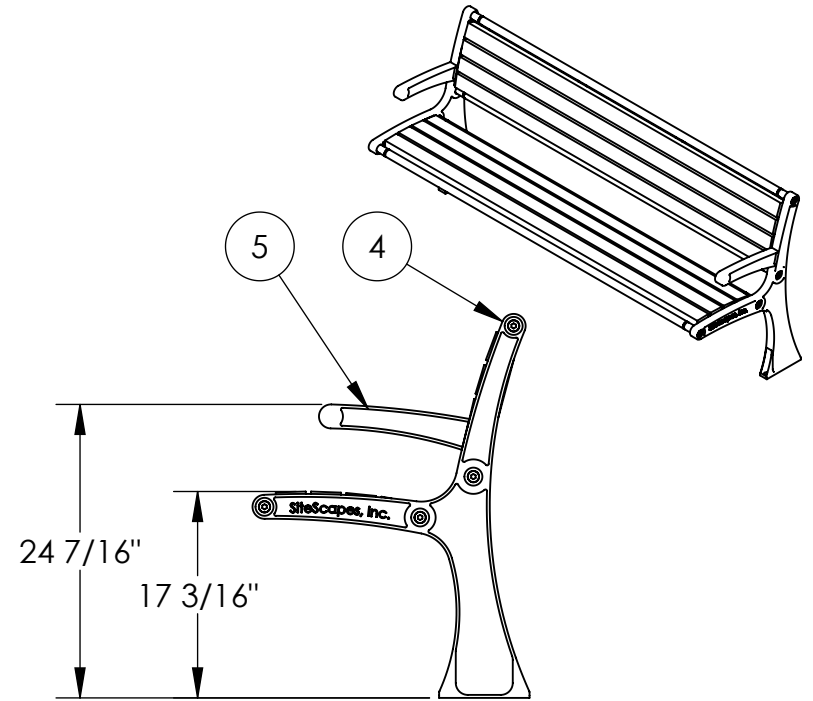
TOP VIEW



FRONT VIEW

Materials List

- (1) Seat Slats - 2" x 3" Nominal Recycled Plastic
- (2) Seat Supports - 1/4" Aluminum Plate
- (3) Support Pipes - $\phi 1.315"$ x $.133"$ Aluminum Pipe
- (4) End Unit - 1 1/2" Cast Aluminum With 9/16" Mounting Holes
- (5) Armrest - 1 1/2" Cast Aluminum
- (6) Mounted with Four $\phi 1/2"$ x 4-5" Stainless Steel Anchor Bolts (Customer Supplied)



RIGHT SIDE VIEW